

2/2-Way; G 1/4"-2"; PN 0-10 bar

两位三通



## Design/Function 设计/功能

The valves are based on a modular concept comprising three basic elements:

Valve assembly, push-over coil and standard cable plug.

该阀是按标准设计的, 包括三个基本部分: 阀体、线圈和标准电缆插座。

The servo-system with coupled diaphragm/armature assembly and armature guide tube is mounted on the valve body.

由复合膜/衔铁和衔铁导管组成的伺服系统装在阀体上。

The coil is pushed over the armature guide tube and thus isolated from the medium.

The medium is only in contact with the valve internals and body.

线圈装在导管外, 因此不与流体接触。流体仅与阀内件和阀体接触。

All valves operate from zero pressure. 所有阀门都由零压启动。

A wide selection of pipe and orifice sizes is offered. Valves are available with threaded ports in brass and stainless steel.

有多种接管和内孔尺寸可供选择。黄铜或不锈钢阀体、螺纹接口。

To simplify ordering, a wide selection of standard combinations of valve body, push-over coil and standard cable plug can be ordered with one item number.

为便于订购, 只需用一个订货号就可以得到阀体、线圈和标准电缆插座的各种标准组合。

Cable plug options of Type 2508 and 2511 HL are available to suit special electrical application requirements.

2508和2511HL型电缆插座选项可满足特殊电气应用要求。

- The modular concept provides flexibility to meet application requirements.

标准化设计能满足用户要求。

## Advantages/Benefits 优点/特性

- ▶ Waterhammer-free  
无水锤
- ▶ Low noise  
低噪声
- ▶ Zero differential pressure  
零压差
- ▶ Low maintenance  
维护量小
- ▶ Coil can be locked in 4 x 90° positions, or moved freely between, as required  
线圈可根据需要在4×90°位置上锁定, 或在此角度内自由移动
- ▶ Modular solenoid coil system, different sizes and power ratings  
标准电磁线圈系统, 各种规格和功率等级
- ▶ Easy coil change  
线圈更换方便
- ▶ Wide range of cable plug options Type 2508  
多种2508型电缆插座选项

## Applications 应用

### Fluids 流体

- Hot water up to 120°C  
热水温度可达120°C
- Oil and fat-free liquids up to 10 bar  
油和无脂液体, 压力可达10bar
- Alkaline washing and bleaching lyes  
碱洗液和漂白碱液

### Applications 应用

- Process systems  
加工系统
- Chemical processing  
化学处理
- Water treatment  
水处理
- General purpose applications  
一般应用场合
- Sterilizers 消毒器
- Public hygiene 公共卫生
- Medical service 医疗服务

**bürkert**  
Easy Fluid Control Systems

# Solenoid Valve, waterhammer-free, 0-10 bar

## 0-10 bar

# Type 6213 6213

## Hot Water Range

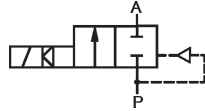
General Purpose

### Technical Data Type 6213

#### Circuit function

A 2/2-way, normally closed, with coupled diaphragm  
两位两通阀, 常闭, 带复合膜

#### Symbol



#### Operating Data (Valve) 工作参数 (阀门)

Pressure range 0-10 bar  
压力范围  
Port connection G 1/4" - G 2"  
连接口  
Fluid 流体  
Seal material EPDM: Oil and fat-free liquids, e.g. hot water, washing and bleaching lyes.  
EPDM密封 油和无脂液体, 如热水、清洗液和漂白碱液  
Medium temperature -30 ... +120 °C  
介质温度  
Max. ambient temperature +55 °C  
最高环境温度  
Max. viscosity 21 mm<sup>2</sup>/s  
最大粘度  
Response times opening: 50- 700 ms<sup>1)</sup>  
反应时间 打开  
closing: 100-2500 ms<sup>1)</sup>  
关闭

<sup>1)</sup>Depend on orifice, fluid pressure and viscosity.

<sup>1)</sup>取决于内孔、流体压力和粘度

Installation as required, but preferably with solenoid system upright.  
安装 可根据需要安装, 但最好将电磁系统朝上

#### Operating Data (Actuator) 工作参数 (执行机构)

Operating voltages 工作电压  
Standard versions: AC 24, 110, 230 V/50Hz  
标准式 DC 24 V/=\*  
(\*only DN 10-20)  
Heavy duty versions: AC 24, 110, 230 V/50-60Hz  
重负载式 DC 24 V/UC\*  
(\*incl. DN 25/40 norm. version)

Voltages tolerance 电压允差 ±10 %  
Power consumption (AC) 功耗(交流) Standard versions: 标准式

DN [mm]	10	13	20	25	40
Inrush	34VA	36VA	38VA	160VA	202VA
Hold	14VA/8W	14VA /8W	14VA/8W	38VA/18W	38VA/18W

Heavy duty versions: 重负载式

DN [mm]	13	20
Inrush	100VA	150VA
Hold	28VA/15W	38VA/18W

Power consumption (DC) 功耗(直流) Standard versions: 标准式

DN [mm]	10	13	20
Inrush	10W	10W	10W
Hold	10W	10W	10W

重负载式

Heavy duty UC versions: (\*incl. DN 25/40 norm. version) (包括DN 25 / 40标准式)

DN [mm]	13	20
Inrush	60W	72W
Hold	3W	4W

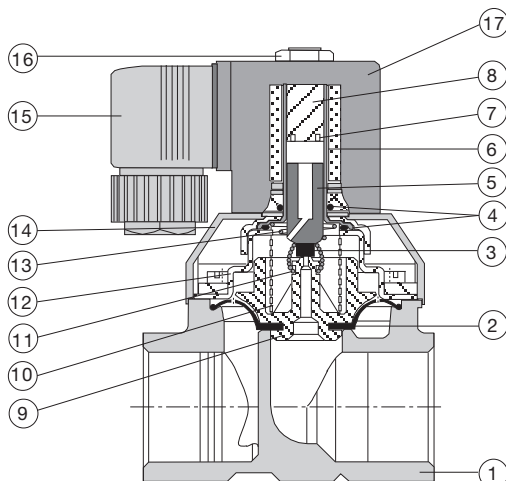
(with cable plug 2511 HL) (带2511 HL电缆插座)

Duty cycle 100% continuously rated  
负载周期: 100%连续工作  
Cycling rate 频率 up to 15 c.p.m.  
Protection class 防护等级 IP 65  
Electr. connection 电气连接

Delivery standard: Cable plug DIN 43 650 A, 0-250 V (other versions see accessories)

标准供货: DIN 43650 A型电缆插座, 0-250V (其他形式参见附件)  
Cable plug 2511 HL for 24 V/UC heavy duty and 24 V/UC DN25 / DN40  
2511HL电缆插座用于24V /UC重负载式和24V /UC DN25 /DN40

#### Materials 材质



- |                             |                                 |
|-----------------------------|---------------------------------|
| 1 Valve body: 阀体            | Brass or Stainless Steel 黄铜或不锈钢 |
| 2 Diaphragm: 膜片             | EPDM 乙丙橡胶                       |
| 3 Plunger-seal: 铁心密封        | EPDM 乙丙橡胶                       |
| 4 O-rings: O型环              | EPDM 乙丙橡胶                       |
| 5 Plunger: 铁心               | 1.4105 不锈钢                      |
| 6 Armature guide tube: 衔铁导管 | 1.4301 不锈钢                      |
| 7 Shading ring: 挡圈          | Cu (copper) 铜                   |
| 8 Stopper: 止动器              | 1.4105 不锈钢                      |
| 9 Diaphragm support: 膜片支架   | PPSGF40                         |
| 10 Spring: 弹簧               | 1.4310 不锈钢                      |
| 11 Tension spring: 张力弹簧     | 1.4310 不锈钢                      |
| 12 Bonnet: 阀罩               | 1.4301 不锈钢                      |
| 13 Taper spring: 锥形弹簧       | 1.4310 不锈钢                      |
| 14 Bonnet: 罩                | Durethan BKV30H                 |
| 15 Cable plug: 电缆插座         | PA (Polyamide) 尼龙               |
| 16 Locknut: 锁紧螺母            | 9SMnPb28K (surface Zn5glcA)     |
| 17 Coil: 线圈                 | Epoxy                           |

# Solenoid Valve, waterhammer-free, 0-10 bar 0-10 bar

# Type 6213 6213 Hot Water Range

General Purpose

Specifications - Ordering Chart (Other Versions on Request)

Temperature range -30 °C ... +120°C; brass body; seal material EPDM (with standard-cable plug 0-250 V AC/DC)  
- 30 +120 ( 0-250V AC/DC)

Port connection [Inch]	Orifice [mm]	Kv-value (water) [m³/h] Kv	Pressure Range [bar]	Seal material	Weight [kg]	I T E M - N O.			
						Voltage / Frequency [V/Hz] /			
						24/=	24/50	110/50	230/50
G 1/4	10.0	1.8	0-10	EPDM	0.40	139 096 R	139 097 J	139 098 T	139 099 U
G 3/8	10.0	1.8	0-10	EPDM	0.40	135 217 J	135 218 T	135 219 V	135 220 Z
G 1/2	13.0	3.5	0-10	EPDM	0.55	135 226 K	135 227 L	135 228 V	135 229 W
G 3/4	20.0	8.6	0-10	EPDM	1.00	135 234 K	135 235 L	135 236 M	135 237 N
G 1	25.0	11.0	0-10	EPDM	1.70	138 412 R**	135 133 E	135 134 F	135 135 G
G 1 1/4	25.0	11.0	0-10	EPDM	1.70	138 413 J**	135 136 H	135 137 A	135 138 K
G 1 1/2	40.0	30.0	0-10	EPDM	3.60	138 418 X**	135 145 J	135 146 K	135 147 L
G 2	40.0	30.0	0-10	EPDM	3.60	138 419 Y**	135 148 V	135 149 W	135 150 T

\*\* with cable plug type 2511 HL for UC  
2511 HL UC

Temperature range -30 °C ... +120°C; Stainless Steel body; seal material EPDM (with standard-cable plug 0-250 V AC/DC)  
- 30 +120 ( 0-250V AC/DC)

Port connection [Inch]	Orifice [mm]	Kv-value (water) [m³/h] Kv	Pressure Range [bar]	Seal material	Weight [kg]	I T E M - N O.			
						Voltage / Frequency [V/Hz] /			
						24/=	24/50	110/50	230/50
G 1/4	10.0	1.8	0-10	EPDM	0.40	141 163 S	141 164 T	141 165 U	141 166 V
G 3/8	10.0	1.8	0-10	EPDM	0.40	141 167 W	141 168 F	141 169 G	141 170 D
G 1/2	13.0	3.5	0-10	EPDM	0.55	141 199 X	141 200 L	141 201 H	141 202 A
G 3/4	20.0	8.6	0-10	EPDM	1.10	141 223 W	141 224 X	141 225 Y	141 226 Z

For heavy duty applications:

Temperature range -30 °C ... +120°C; Stainless Steel body; seal material EPDM (with standard-cable plug 0-250 V AC/DC)  
- 30 +120 ( 0-250V AC/DC)

Port connection [Inch]	Orifice [mm]	Kv-value (water) [m³/h] Kv	Pressure Range [bar]	Seal material	Weight [kg]	I T E M - N O.			
						Voltage / Frequency [V/Hz] /			
						24/UC	24/50-60	110/50-60	230/50-60
G 1/2	13.0	3.5	0-10	EPDM	0.78	141 805 X**	141 806 Y	141 807 Z	141 808 A
G 3/4	20.0	8.6	0-10	EPDM	1.47	141 809 B**	141 810 X	141 811 L	141 812 M
G 1	20.0	8.6	0-10	EPDM	1.47	141 813 N**	141 814 P	141 815 Q	141 816 R

\*\* with cable plug type 2511 HL  
2511 HL

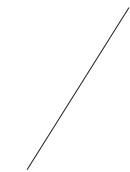
# Solenoid Valve, waterhammer-free, 0-10 bar 0-10 bar

# Type 6213 6213 Hot Water Range

## General Purpose

### Dimensions [mm]

#### Type 6213 with standard cable plug 6213



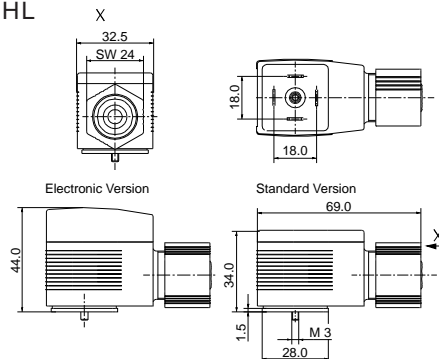
Cable plug  
DIN 43650,  
form A,  
(0-250 V AC/DC),  
delivery standard  
DIN 43650 A  
(0-250V AC/DC)

#### Standard cable plug type 2508 2508

Transparent cap, when wired with LED.

LED

#### Cable plug type 2511 HL (high power electronics) 2511 HL



#### Standard versions

Threaded port [inch]	Orifice [mm]	Voltage	A [mm]	B [mm]	H [mm]	I [mm]	K [mm]	C [mm]	D [mm]	E <sup>1</sup> [mm] (Brass)	E <sup>2</sup> [mm] (S. St.)	F [mm]	L <sup>1</sup> [mm] (Brass)	L <sup>2</sup> [mm] (S. St.)	SW [mm]	M [mm]
G 1/4	10.0	AC	68.0	82.0	32.0	20.5	45.0	37.5	38.0	20.0	25.0	12.0	50.0	55.0	27.0	3.5
G 3/8	10.0		68.0	82.0	32.0	20.5	45.0	37.5	38.0	20.0	25.0	12.0	50.0	55.0	27.0	3.5
G 1/2	13.0		79.5	95.5	32.0	20.5	45.0	45.0	50.5	24.0	31.0	14.0	58.0	65.0	32.0	3.5
G 3/4	20.0	DC	95.0	115.5	32.0	20.5	45.0	66.0	66.0	35.0	50.0	16.0	80.0	100.0	41.0	3.5
G 1/4	10.0		68.5	82.5	40.0	23.5	51.0	37.5	38.0	20.0	25.0	12.0	50.0	55.0	27.0	3.5
G 3/8	10.0		68.5	82.5	40.0	23.5	51.0	37.5	38.0	20.0	25.0	12.0	50.0	55.0	27.0	3.5
G 1/2	13.0	AC/UC	80.0	96.0	40.0	23.5	51.0	45.0	50.5	24.0	31.0	14.0	58.0	65.0	32.0	3.5
G 3/4	20.0		95.5	116.0	40.0	23.5	51.0	66.0	66.0	35.0	50.0	16.0	80.0	100.0	41.0	3.5
G 1	25.0		138.0	158.5	49.0	24.5	53.0	78.0	78.0	40.5	∅	18.0	95.0	∅	41.0	7.0
G 1 1/4	25.0	138.0	163.0	49.0	24.5	53.0	78.0	78.0	40.5	∅	20.0	95.0	∅	50.0	7.0	
G 1 1/2	40.0	149.5	179.5	49.0	24.5	53.0	104.5	104.5	69.0	∅	22.0	132.0	∅	60.0	7.0	
G 2	40.0	149.5	184.5	49.0	24.5	53.0	104.5	104.5	69.0	∅	24.0	132.0	∅	70.0	7.0	

#### Heavy duty versions

Threaded port [inch]	Orifice [mm]	Voltage	A [mm]	B [mm]	H [mm]	I [mm]	K [mm]	C [mm]	D [mm]	E <sup>1</sup> [mm] (Brass)	E <sup>2</sup> [mm] (S. St.)	F [mm]	L <sup>1</sup> [mm] (Brass)	L <sup>2</sup> [mm] (S. St.)	SW [mm]	M [mm]
G 1/2	13.0	AC/UC	102.5	118.5	43.0	21.5	50.0	45.0	50.5	24.0	31.0	14.0	58.0	65.0	32.0	7.0
G 3/4	20.0		118.0	138.5	49.0	24.5	53.0	66.0	66.0	35.0	50.0	16.0	80.0	100.0	41.0	7.0
G 1	20.0		118.0	138.5	49.0	24.5	53.0	66.0	66.0	35.0	50.0	18.0	80.0	100.0	41.0	7.0

### Ordering Chart for Accessories

A wide selection of further cable plugs is available (see special data sheet Type 2508)  
2508

Ordering No. Z6213GB

In case of special requirements please consult for advice.

We reserve the right to make technical changes without notice.  
710-GB/ 3-0054